

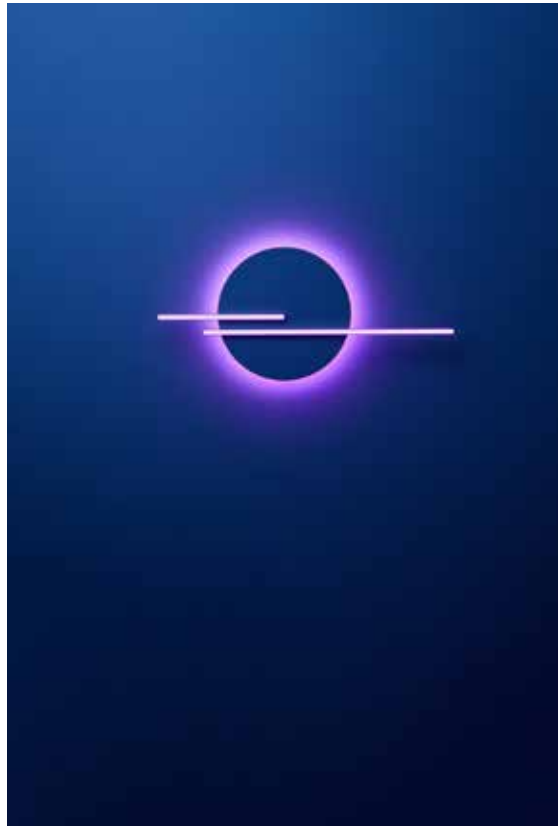
**APTUM**  
CUSTOMIZED  
LIGHTING  
CREATIONS

## CONTOUR MOON

user instructions

Congratulations on choosing this original "CONTOUR MOON" light designed by APTUM. We hope you will enjoy using this product. Please follow these instructions to ensure correct installation. If you have any questions or comments, please do not hesitate to contact us by mail on:

[info@aptumlighting.com](mailto:info@aptumlighting.com)



Please read these instructions carefully and retain them for future reference to ensure that the lamp is used correctly.

For your own safety, please study each step of this instruction manual first. APTUM is not responsible for any faults or damages caused by not following these instructions correctly. Do not modify this lamp in any way.



# CONTOUR MOON

## **SAFETY PRECAUTIONS**

- Dispose of plastic bag from packaging and do not allow children to play with it.
- Keep product well out of children's reach.
- The lamp is only intended for interior use.
- Do not attempt installation of product if you are not competent to do so yourself.
- Consult a professionally qualified electrician if in any doubt.
- Disconnect the electricity supply at the fuse box, before commencing work.

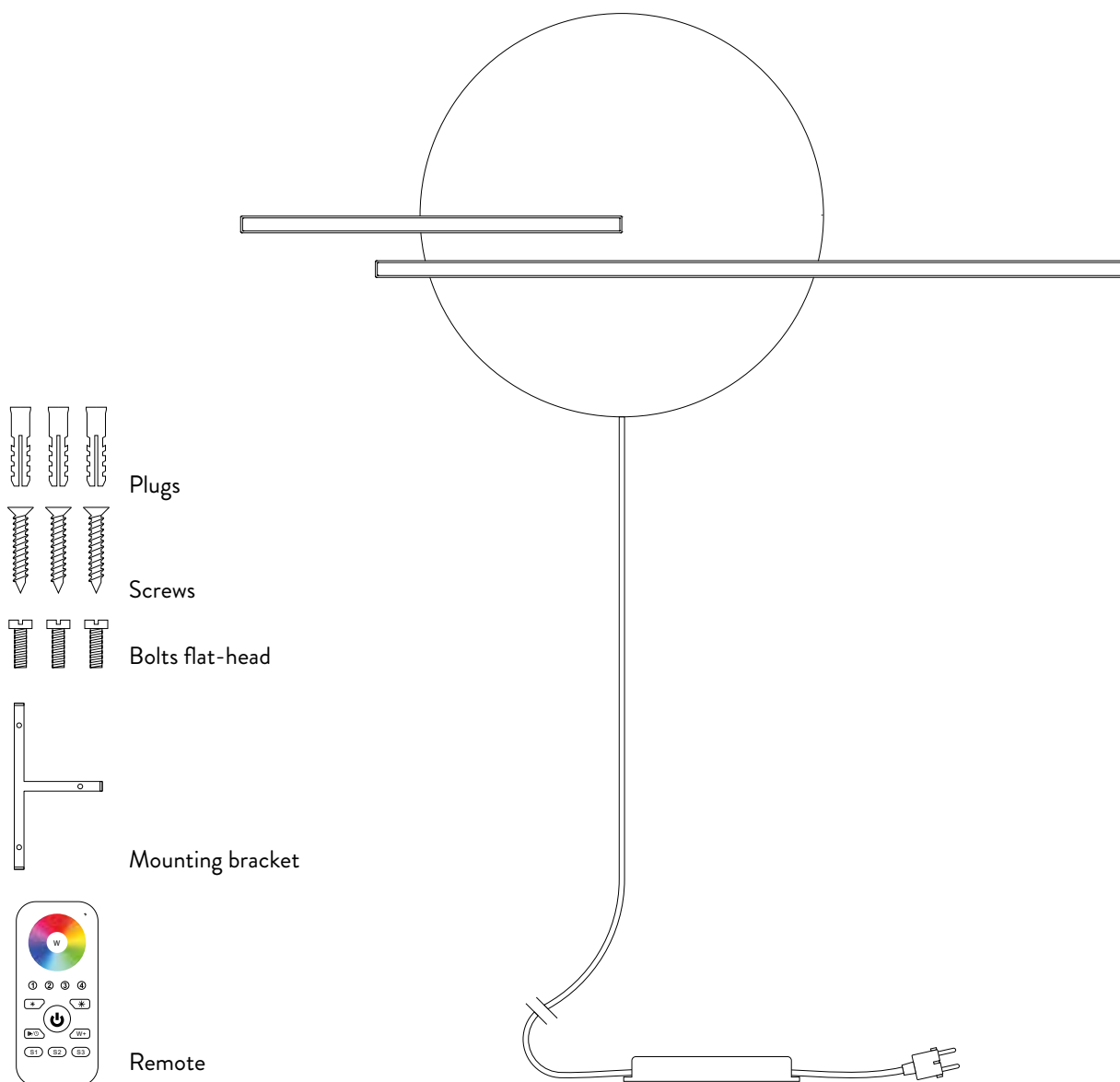
## **CLEANING INSTRUCTIONS**

- Switch of the electricity supply before cleaning.
- Wipe surface of the lamp with a soft dry cloth.
- Do not use any abrasive cleaning tools such as steel wool, scouring sponges or stiff brushes.



## CONTOUR MOON

Content of box

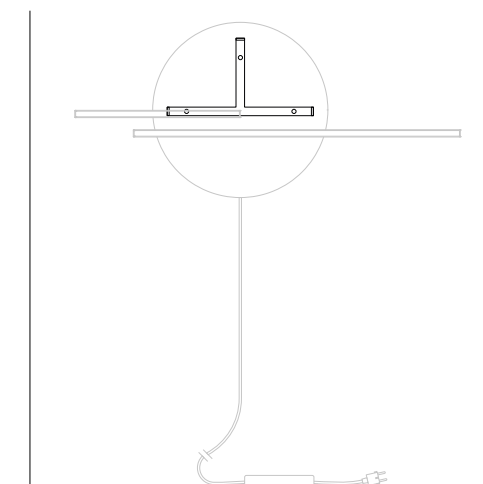


### WHAT DO YOU NEED?

- 2 Persons to install
- Drill diameter suitable for the plugs
- Flat-head/phillips-head screw driver

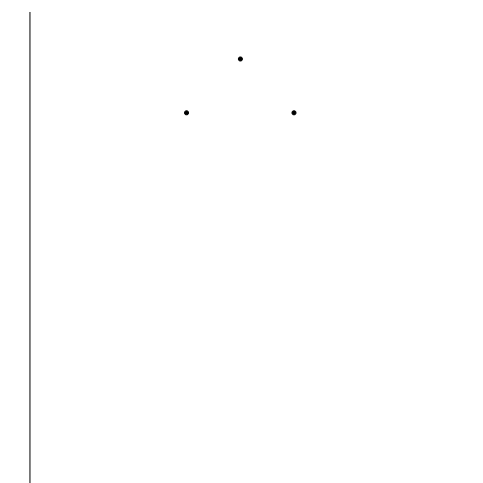


## INSTALLATION MANUAL



### STEP 1

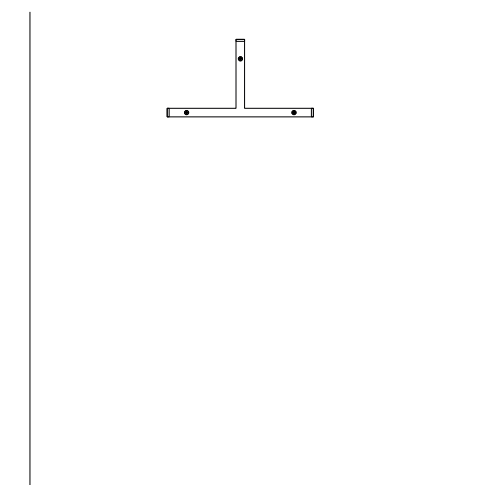
Hold the mounting bracket against the wall on the desired spot. Use a leveler to ensure the bracket is level. Mark the location of the holes.



### STEP 2

The plugs provided are suitable for most materials (e.g. concrete/plaster). If necessary, use a suitable alternative plug.

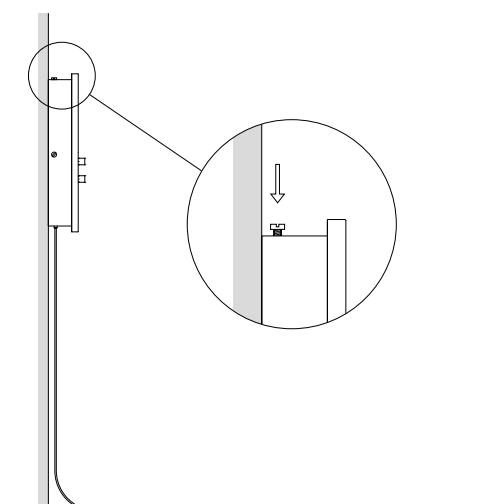
Drill the holes in the wall corresponding to the plugs you use and put the plugs in the holes.



### STEP 3

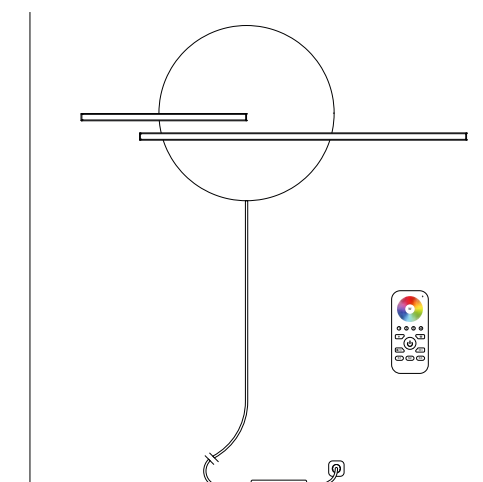
Use the provided screws to mount the bracket to the wall.

If you used other plugs than provide use screws that match that particular plug.



### STEP 4

Place the Contour Moon over the bracket. Use the flat-head bolt provided to fix the Contour Moon to the bracket.



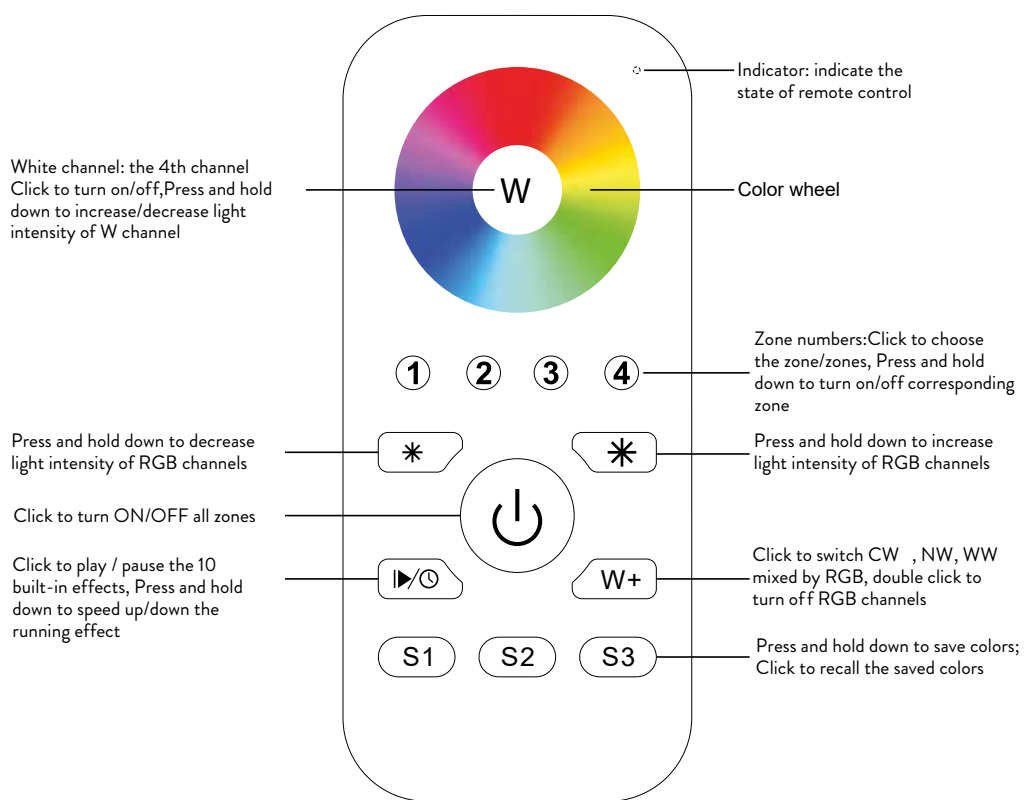
### STEP 5

Make sure the lamp is hanging firmly on the wall. Now plug in the power cord.

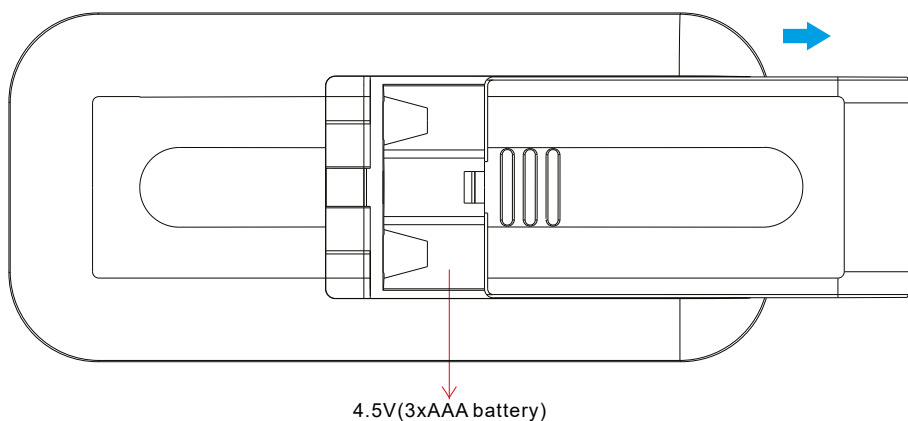


# REMOTE

## Instructions



Front side

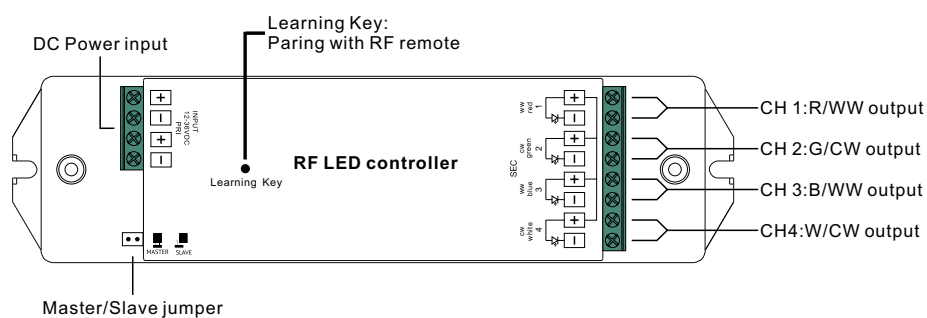


Bottom side



# PAIRING

## Instructions



### PAIR RF RECEIVER WITH RF REMOTE:

1. Connect and wire up the RF receiver correctly, power on.
2. Turn on the remote, click the “Learning Key” button on receiver, immediately click a zone number to pair the receiver to the specified zone if the remote is a multi-zone controller (if it is a single zone remote, this step is unnecessary), then touch the color wheel or slider bar on the remote (if the remote does not have color wheel or slider bar, click or touch any keys), the connected led light on receiver flickers twice, which means well paired.

Note: one receiver can be paired with max 8 remote controls.

### DELETE THE PAIRING:

1. Wire up the RF receiver correctly, power on.
2. Hold down the “ Learning Key” button on receiver for over 3 seconds until the connected led light on receiver flickers twice, which means well deleted.



CE   IP20 





**APTUM**  
CUSTOMIZED  
LIGHTING  
CREATIONS

**CONTACT**

Phone: +31 40 220 4500

Email: [info@aptumlighting.com](mailto:info@aptumlighting.com)

**ADDRESS**

Gashouder 13

5613 CR Eindhoven

The Netherlands

**WEBSITE**

[www.aptumlighting.com](http://www.aptumlighting.com)

